



KAMUJA

DIESEL FORKLIFT A-SF38



Hunan Kamuja Machinery & Equipment Co.,Ltd



A Certificated Company of GB/T 19001-2016
ISO 9001:2015

INTRODUCTION

The vehicle has a compact and reasonable structure, strong lifting capacity, low failure rate and good maintainability. Widely used in **stations, ports, airports, factories, warehouses** and other places. It is an efficient equipment for mechanized loading and unloading and short-distance transportation.

FEATURES

① OUTSTANDING RELIABILITY

- Powerful performance: powerful engine; all load-bearing parts are optimized and designed using finite element analysis. The soft and hard pipes of the hydraulic system are all in compliance with International standards.
- High work efficiency: low input torque fully hydraulic steering gear, flexible operation and light steering; optimized control system, greatly improving driver operating efficiency.
- Improved energy efficiency: Optimize the design of hydraulic and transmission systems, greatly improve the energy efficiency of the entire machine, and lower the cost of use.
- Low maintenance cost: The purchased parts are popular choices from the first-line brands in the industry. The accessories are highly versatile, easy to maintain, and have low maintenance cost.
- Humanized design upgrade: large space, large control field of view, high-rigidity iron hood with built-in heat-insulating and sound-absorbing materials, flame retardant and heat-insulating, improving driving comfort and reducing noise and vibration to people and car hazards.

② POWER SYSTEM

- Equipped with ISUZU diesel engine, the power output is stable and the performance is reliable.
- Optimize the frame design and increase the fuel tank capacity.
- The large-capacity water tank improves the heat dissipation channel, and adjusts the position of the air guide hood and the end of the fan to greatly improve the heat dissipation efficiency, ensure reliable engine operation, and extend engine life.
- The engine air intake system uses a high-level independent channel to effectively reduce dust inhalation, extend engine life, and make the engine work more reliably.

③ TRANSMISSION SYSTEM

- Kangda drive axle, an integrally cast drive axle and a steering axle welded with high-strength plates, greatly improves the reliability of the vehicle.
- It has high transmission efficiency, light operation, low noise, and no impact when shifting gears.

④ HYDRAULIC SYSTEM

- Well-know brand components
- The external oil return filter works stably and is easy to maintain.

HUNAN KAMUJA MACHINERY & EQUIPMENT CO.,LTD.

Room 818, 4th Floor, Chang Tong Logistic Center, No.18 Qingzhuhu Road, Changsha, Hunan, China

Tel: +86 0731 88677248 alvaro.jin@kamuja.cn www.kamuja.cn



Certificated Company GB/T 19001-2016/ ISO 9001:2015

⑤ ELECTRICAL SYSTEM

- It adopts intelligent electronic monitoring combination instrument with high reliability, and the electrical system adopts waterproof sealed plug-in structure, which is safe and reliable.
- Combination lamps with high reliability and high sealing level.

DETAILS



Small radius steering wheel, advanced ergonomic design technology, large improved operating comfort. Small radius steering wheel turns more responsively, It can effectively reduce the operator's work intensity.



Reliable and flexible steering system, KAMUJA forklift turning system can achieve small radius turns in narrow spaces, work efficiency and the performance is significantly improved.



Modular structural components adopt advanced computer control. All structural parts have been inspected by ultrasonic flaw detection before assembly to ensure product quality and reliability.



Broad operating field of view, open overhead guard design, wide field of view mast. The rear view mirror design provides the operator with a broad operating field of vision. It can maximize the operator's field of vision under complex working conditions.

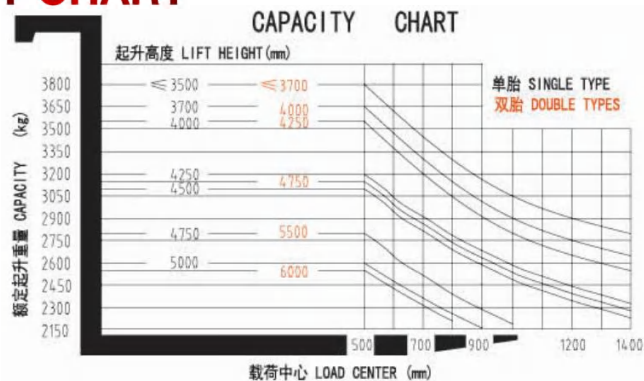


Large-angle tilting hood. The angle-tilting hood is designed using automotive technology. It can be opened flexibly, making daily work and maintenance more convenient, and the heat and sound insulation effects are significantly improved.



High-mounted taillight design LED technology designed in accordance with international standards tail lights, beautiful style, stable performance, wide warning range, can effectively ensure work safety.

CAPACITY CHART



HUNAN KAMUJA MACHINERY & EQUIPMENT CO.,LTD.

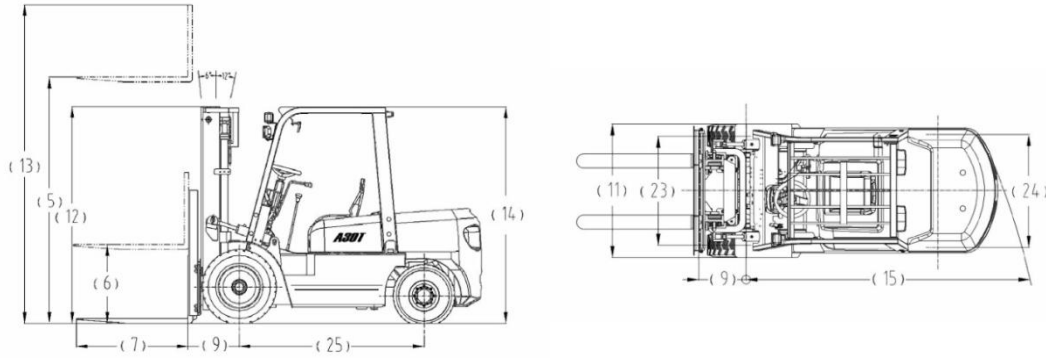
Room 818, 4th Floor, Chang Tong Logistic Center, No.18 Qingzhuhu Road, Changsha, Hunan, China



Tel: +86 0731 88677248 alvaro.jin@kamuja.cn www.kamuja.cn

Certificated Company GB/T 19001-2016/ ISO 9001:2015

OVERALL



OPTIONAL ATTACHMENTS



Multi-functional soft bag clip

Brick clamp

Roll clip

String rod



Trash clip

Push-puller

Side shifter

Carton holder

Standard Configuration (Inclusions)

- Aight and aight protection pedals
- Type air cleaner
- Hydraulic oil scale
- Traction device
- Raise the oil speed limit valve
- Full hydraulic power steering
- Second class extra wide view frame
- Car handle
- Roof guard and rain shield
- Rearview mirror
- Fuel gauge
- Preheating prompt
- Engine oil pressure alarm
- Neutral safety switch (hydraulic drive)
- High air intake device
- Hydraulic oil suction filter element
- Tilt oil circuit self-locking valve
- Cable parking brake
- Front combination lamp
- Electric horn
- Overhead headlights
- Hood gas spring
- Rear combination lamp
- Charging tips
- Oil cooler (Hydraulic drive)
- Car tool kit
- Water thermometer
- Standard seat

HUNAN KAMUJA MACHINERY & EQUIPMENT CO.,LTD.

Room 818, 4th Floor, Chang Tong Logistic Center, No.18 Qingzhuhu Road, Changsha, Hunan, China

Tel: +86 0731 88677248 alvaro.jin@kamuja.cn www.kamuja.cn



Certificated Company GB/T 19001-2016/ ISO 9001:2015

- Standard fork
- Standard roof guard
- The reverse buzzer
- Two disc multiway valve
- Raise and tilt the joystick
- Transmission oil scale (Hydraulic transmission)
- Class II (III) cargo fork rack
- Large rubber pedal pad
- Steering wheel can be adjusted
- High performance tyre
- Stopwatch
- Standard rack
- Load relief valve

Optional devices and accessories

- Tilt cylinder jacket
- Dual drive wheel
- Cab
- Overhead exhaust device
- User specified color
- Cab heater
- Rear working light
- Alarm lamp
- Solid tyre
- Middle exhaust device
- Exhaust fire protection
- Suspension seat
- Weighing system
- Auxiliary hydraulic valve assembly
- Extinguisher
- Copper water tank
- LED rear light
- Double air filter

Optional Fittings

- Roll clip
- Rotate the flat clamp
- Load stabilizer
- Multi-purpose bucket clamp
- Soft clip
- Can clip
- Miter clamp
- Boom
- String rod
- Side Shifter
- Swivel fork
- Fork extension cover
- Load ejector
- Carton clip
- Position ejector
- Bucket
- Lifting hook
- Extended fork

Special Equipment for Mast

- Wide view full Stage III Mast
- Wide field of view full free Stage III Mast
- Special fork

SPECIFICATIONS

| | | | | | |
|-----------------------|----------------|---------------------------------|-----------------------------|-----------|----------------------------|
| General | 1 | Model | | Unit | A-SF38 |
| | 2 | Load capacity | | kg | 3800 |
| | 3 | Load center | | mm | 500 |
| | 4 | Power type | | | Diesel |
| Dimensions | 5 | Lift height | | mm | 3000 |
| | 6 | Free lift height | | mm | 100 |
| | 7 | Fork size | | mm | 1070*150*45 1220×125×45 |
| | 8 | Mast tilt angle | | deg | 6/12 |
| | 9 | Fort overhang | | mm | 500 |
| | 10 | Overall dimensions | Length to face of fork | mm | 4105 |
| | 11 | | Overall width | mm | 1400 |
| | 12 | | Overall height fork lowered | mm | 2190 |
| | 13 | | Overall height fork raised | mm | 4270 |
| | 14 | | Overall guard height | mm | 2230 |
| 15 | Turning radius | | mm | 2800 | |
| Performance | 16 | Travel speed (Full/No load) | Hydraulic | km/h | 19/20 |
| | 17 | | Mechanical | km/h | 19/20 |
| | 18 | Lift speed with Load | | mm/sec | 410 |
| | 19 | Max.gradeability | | % | 20 |
| | 20 | Self weight | | kg | 5100 |
| Wheel & tires | 21 | Tires | Front | | 250-15-12PR |
| | 22 | | Rear | | 7.00-12-12PR |
| | 23 | Tread | Front | mm | 1160 |
| | 24 | | Rear | mm | 1065 |
| | 25 | Wheelbase | | mm | 1900 |
| | 26 | Ground clearance (Full/No load) | Mast | mm | 140 |
| | 27 | | Frame | mm | 135 |
| Drive units & control | 28 | Engine | Model | | ISUZU 4JG2 |
| | 29 | | Rated output | kw | 44.9/2450 |
| | 30 | | Rated torque | N. m/ rpm | 84.7/1700 |
| | 31 | | No.of cylinder | | 4 |
| | 32 | | Bore×stroke | mm | 95.4×107 |
| | 33 | | Displacement | L | 3.059 |

※ The technical information may vary by the update policy, the changes will be without prior notice.

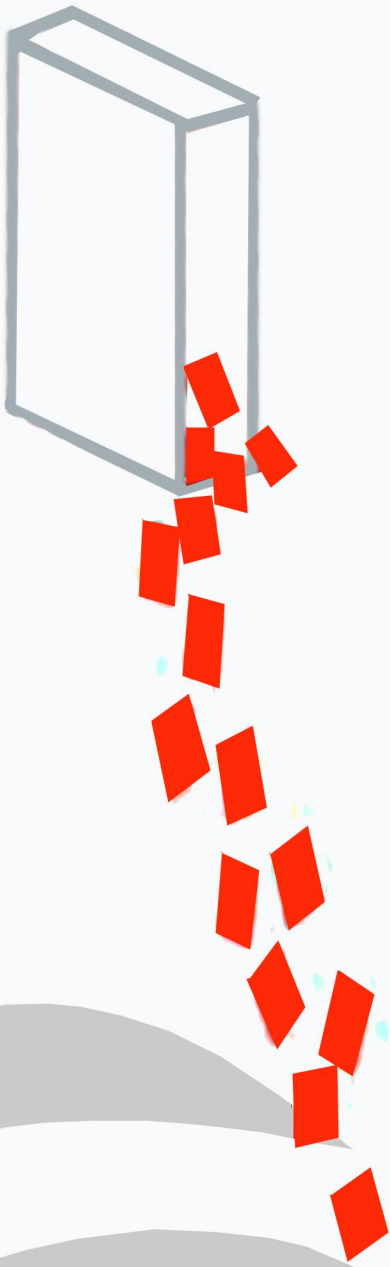
HUNAN KAMUJA MACHINERY & EQUIPMENT CO.,LTD.

Room 818, 4th Floor, Chang Tong Logistic Center, No.18 Qingzhuhu Road, Changsha, Hunan, China

Tel: +86 0731 88677248 alvaro.jin@kamuja.cn www.kamuja.cn



Certificated Company GB/T 19001-2016/ ISO 9001:2015



Hunan Kamuja Machinery & Equipment Co.,Ltd

Address: Qingzhu Hu Road N.18, Chang Tong Logistic Center Floor 4 Room 818,
Jinxia Economic Development Zone, Changsha City, Hunan Province, P.R of China.

333 SE 2nd Avenue Suit 2000 Miami FL 33131. USA

Tel: +86 731 8867 7248 e-mail: info@kamuja.cn

Web site: www.kamuja.cn



A Certificated Company of GB/T 19001-2016/
ISO 9001:2015