



KAMUJA

DIESEL FORKLIFT A-SF30



Hunan Kamuja Machinery & Equipment Co.,Ltd



A Certificated Company of GB/T 19001-2016
ISO 9001:2015

INTRODUCTION

The vehicle has a compact and reasonable structure, strong lifting capacity, low failure rate and good maintainability. Widely used in **stations, ports, airports, factories, warehouses** and other places. It is an efficient equipment for mechanized loading and unloading and short-distance transportation.

FEATURES

① STABLE POWER SYSTEM

Equipped with mature, reliable and powerful IZUSU diesel engine, which is powerful, energy-saving and environmentally friendly.

The gearbox, drive axle and steering axle are all made from well-known domestic and international manufacturers, with stable and reliable performance.

② HIGH-STRENGTH LOAD-BEARING STRUCTURAL PARTS

The mast is welded from high-quality high-strength rolled steel and is equipped with split large rollers, which has strong load-bearing capacity and long service life; the frame, the load-bearing components such as the cab and counterweight have all completed finite element analysis of stress and fatigue.

The structure is reasonable and the quality is stable.

③ HIGH QUALITY ELECTRO-HYDRAULIC SYSTEM

High-quality hydraulic components produced by well-known domestic and foreign manufacturers, with reliable performance. It has the characteristics of long service life and low oil leakage rate; rational arrangement of soft and hard pipes ensures small pipeline pressure loss and high overall machine working efficiency.

It adopts intelligent electronic monitoring combination instrument with high reliability, and the electrical system adopts waterproof sealed plug-in structure, which is safe and reliable.

Combination lamps with high reliability and high sealing level provide more concentrated and clear brightness and longer lifespan.

④ EFFICIENT COOLING SYSTEM

The new structure large-capacity water tank, the heat dissipation channel improved by using advanced heat dissipation technology and the reasonably designed air guide cover ensure the whole machine has good heat dissipation performance, easy maintenance and long service life.

⑤ COMFORTABLE OPERATING SPACE

HUNAN KAMUJA MACHINERY & EQUIPMENT CO.,LTD.

Room 818, 4th Floor, Chang Tong Logistic Center, No.18 Qingzhuhu Road, Changsha, Hunan, China
Tel: +86 0731 88677248 alvaro.jin@kamuja.cn www.kamuja.cn



The entire vehicle adopts advanced ergonomic design and is equipped with multi-level shock absorption to provide a comfortable operating environment; it is equipped with a fully hydraulic system with low input torque.

Steering gear, easy steering; integrated iron hood, good heat and sound insulation.



Luxury Seat & Belt

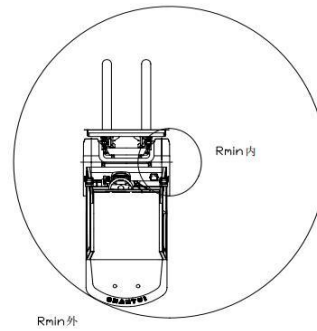
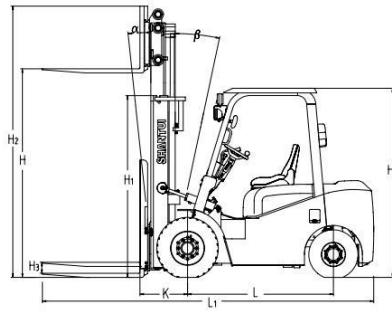


Easy to open the engine hood

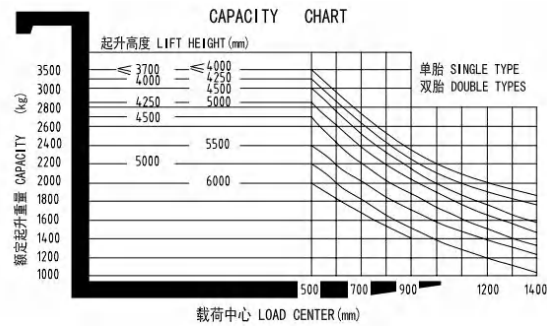


Self made first class torque converter

OVERALL



CAPACITY CHART



HUNAN KAMUJA MACHINERY & EQUIPMENT CO.,LTD.

Room 818, 4th Floor, Chang Tong Logistic Center, No.18 Qingzhuhu Road, Changsha, Hunan, China

Tel: +86 0731 88677248 alvaro.jin@kamuja.cn www.kamuja.cn



Certificated Company GB/T 19001-2016/ ISO 9001:2015

OPTIONAL ATTACHMENTS



Multi-functional soft bag clip

Brick clamp

Roll clip

String rod



Trash clip

Push-puller

Side shifter

Carton holder

Standard Configuration (Inclusions)

- Alight and alight protection pedals
- Type air cleaner
- Hydraulic oil scale
- Traction device
- Raise the oil speed limit valve
- Full hydraulic power steering
- Second class extra wide view frame
- Standard fork
- Raise and tilt the joystick
- Steering wheel can be adjusted
- Car handle
- Roof guard and rain shield
- Rearview mirror
- Fuel gauge
- Preheating prompt
- Engine oil pressure alarm
- Neutral safety switch (hydraulic drive)
- Standard roof guard
- Transmission oil scale (Hydraulic transmission)
- High performance tyre
- High air intake device
- Hydraulic oil suction filter element
- Tilt oil circuit self-locking valve
- Cable parking brake
- Front combination lamp
- Electric horn
- Overhead headlights
- The reverse buzzer
- Class II (III) cargo fork rack
- Stopwatch
- Hood gas spring
- Rear combination lamp
- Charging tips
- Oil cooler (Hydraulic drive)
- Car tool kit
- Water thermometer
- Standard seat
- Two disc multiway valve
- Large rubber pedal pad
- Standard rack
- Load relief valve

HUNAN KAMUJA MACHINERY & EQUIPMENT CO.,LTD.

Room 818, 4th Floor, Chang Tong Logistic Center, No.18 Qingzhuhu Road, Changsha, Hunan, China
Tel: +86 0731 88677248 alvaro.jin@kamuja.cn www.kamuja.cn

Optional devices and accessories

- Tilt cylinder jacket
- Dual drive wheel
- Cab
- Overhead exhaust device
- User specified color
- Cab heater
- Rear working light
- Alarm lamp
- Solid tyre
- Middle exhaust device
- Exhaust fire protection
- Suspension seat
- Weighing system
- Auxiliary hydraulic valve assembly
- Extinguisher
- Copper water tank
- LED rear light
- Double air filter

Optional Fittings

- Roll clip
- Rotate the flat clamp
- Load stabilizer
- Multi-purpose bucket clamp
- Soft clip
- Can clip
- Miter clamp
- Boom
- String rod
- Side Shifter
- Swivel fork
- Fork extension cover
- Load ejector
- Carton clip
- Position ejector
- Bucket
- Lifting hook
- Extended fork

Special Equipment for Mast

- Wide view full Stage III Mast
- Wide field of view full free Stage III Mast
- Special fork

HUNAN KAMUJA MACHINERY & EQUIPMENT CO.,LTD.

Room 818, 4th Floor, Chang Tong Logistic Center, No.18 Qingzhuhu Road, Changsha, Hunan, China
Tel: +86 0731 88677248 alvaro.jin@kamuja.cn www.kamuja.cn



Certificated Company GB/T 19001-2016/ ISO 9001:2015



SPECIFICATIONS

General	Model		A-SF30		
		Load capacity	3000	kg	
	Load center	500	m m		
	Power type	Diesel			
Dimensions	Lift height	H	3000	m m	
	Free lift height	H3	100	m m	
	Fork size		1070×125×45 1220×125×45	m m	
	Mast tilt angle	α/β	6/12	deg	
	Fort overhang	K	95	m m	
	Overall dimensions	Length to face of fork	L1	3820	m m
		Overall width		1225	m m
		Overall height fork lowered	H1	2060	m m
		Overall height fork raised	H2	4265	m m
		Overall guard height	H4	2165	m m
Turning radius		2400	m m		
Performance	Travel speed (Full/No load)	Hydraulic		19/20	km/h
		Mechanical	I	8.8/8.8	km/h
			II	20/20	km/h
	Lift speed with speed		470	mm/sec	
	Max.gradeability		20	%	
	Self weight		4350	kg	
Wheel&tires	Tires	Front	28×9-15-12PR		
		Rear	6.50-10PR		
	Tread	Front	1000	m m	
		Rear	970	m m	
	Wheelbase		1700	m m	
	Ground clearance (Full/No load)	Mast	110/135	m m	
Frame		130/135	m m		
Drive units & control	Engine	Model	ISUZU C240PKJ		
		Rated output	34.5/2500	km/ rpm	
		Rated torque	139/1800	N.m/rpm	
		No.of cylinder	4		
		Bore×stroke	92×100	m m	
		Displacement	2.67	L	

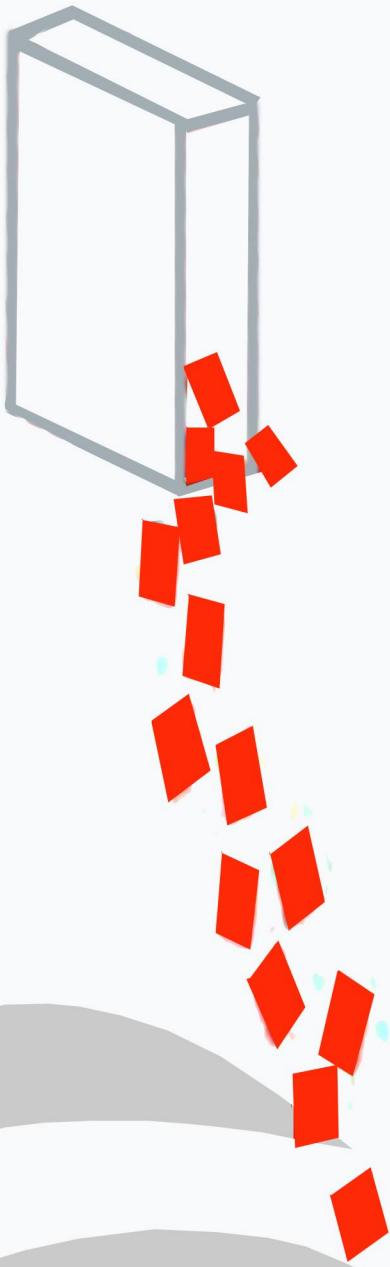
※ The technical information may vary by the update policy, the changes will be without prior notice.

HUNAN KAMUJA MACHINERY & EQUIPMENT CO.,LTD.

Room 818, 4th Floor, Chang Tong Logistic Center, No.18 Qingzhuhu Road, Changsha, Hunan, China
Tel: +86 0731 88677248 alvaro.jin@kamuja.cn www.kamuja.cn



Certificated Company GB/T 19001-2016/ ISO 9001:2015



Hunan Kamuja Machinery & Equipment Co.,Ltd

Address: Qingzhu Hu Road N.18, Chang Tong Logistic Center Floor 4 Room 818,
Jinxia Economic Development Zone, Changsha City, Hunan Province, P.R of China.

333 SE 2nd Avenue Suit 2000 Miami FL 33131. USA

Tel: +86 731 8867 7248 e-mail: info@kamuja.cn

Web site: www.kamuja.cn



A Certificated Company of GB/T 19001-2016/
ISO 9001:2015